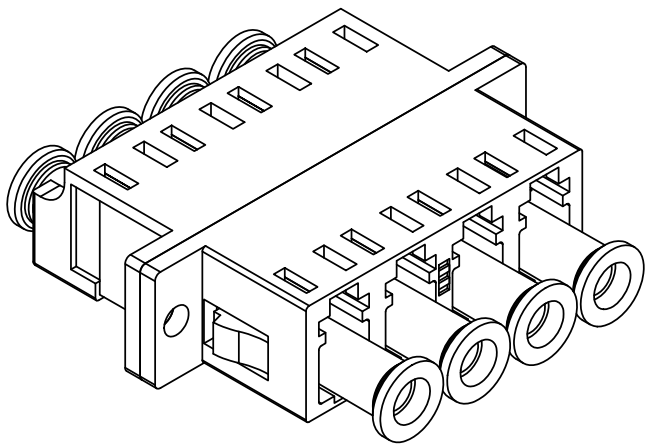
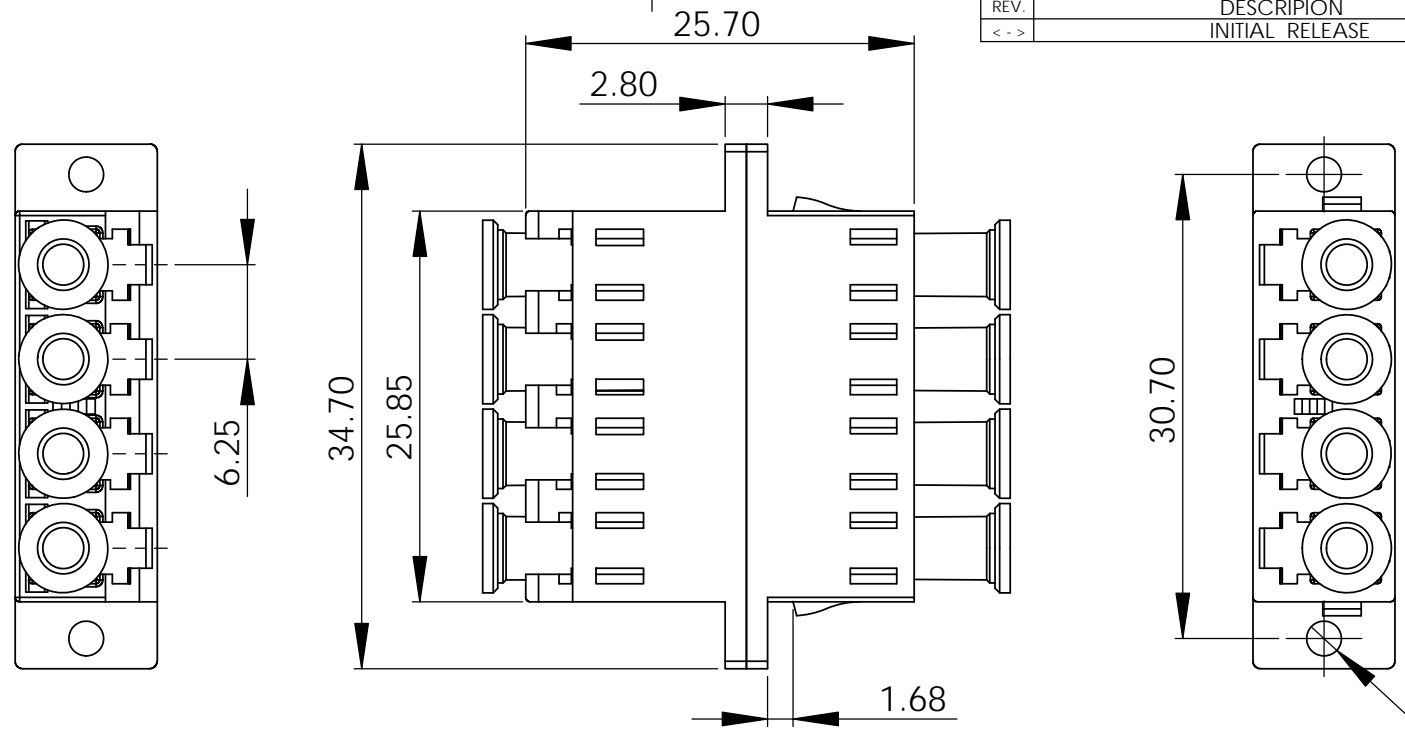


REVISIONS			
REV.	DESCRIPTION	DATE	ECN
<->	INITIAL RELEASE		



ITEM NO.	PART OR IDENTIFYING NO.	NOMENCLATURE OP DESCRIPTION	MATERIAL SPECIFICATION	QTY RECD		
PARTS LIST						
		APPROVALS	DATE	LC QUAD SR-JR ADAPTOR WITH FLANGE STOCK NUMBER: SIZE DWG. NO.		
		DRAWN ENG TEAM				
		CHECKED ENG TEAM				
		RESP ENG				
		MFG ENG				
		DUAL ENG		REV.		
APPLICATION		DO NOT SCALE DRAWING		SCALE	CAD FILE : EZDLCAASA006-1	SHEET OF

6 5 4 3 2 1

D

C

B

A

6 5 4 3 2 1